

PG1 Dual Digital Display Fiber Optic Amplifier

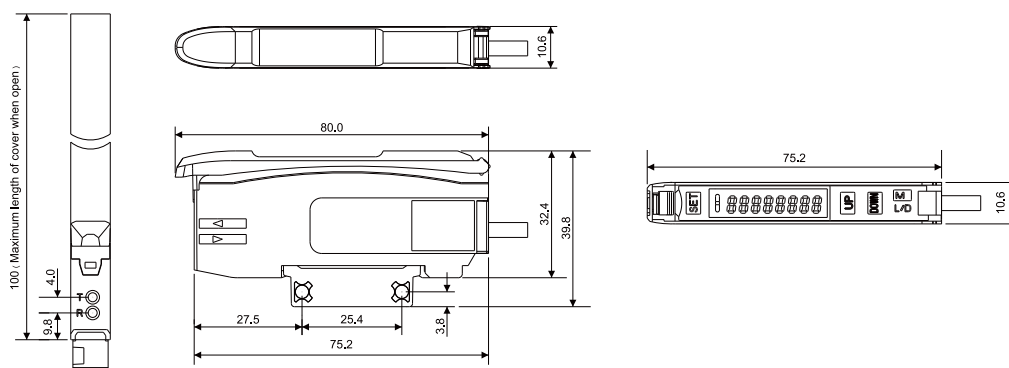
- With automatic light compensation technology, 4-channel anti-light interference
- Small hysteresis, dual output selectable, the fastest speed up to 13 μs



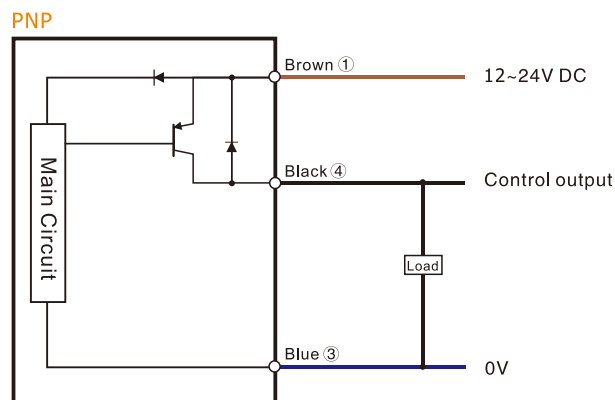
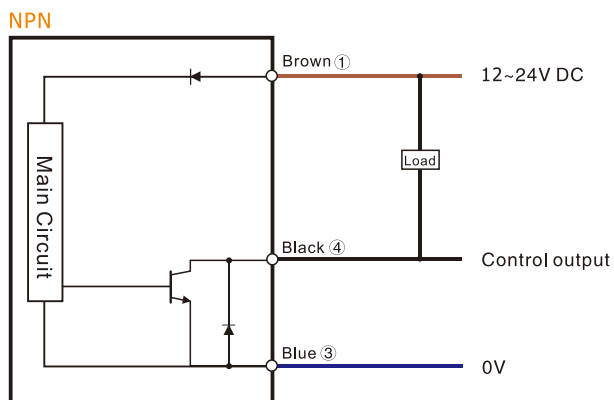
Model No.	PG1-N (HOT)	PG1-P
Control output	1 output port	
Light source	Red, 4-element LED	
Response time	SHP: 13 μs, FINE: 30 μs, SUPR: 100 μs, MEGA: 200 μs	
Output selection	LIGHT-ON/DARK-ON (Short press MODE and select with UP DOWN)	
Display indicator	Operation indicator: Red LED, dual digital monitor: Dual 7-digit display, threshold (4-digit green LED body indicator) and current value (4-digit red LED body indicator) lit together. Current value range: 0-9999	
Detection method	Light intensity (area detection is available for automatic sensitive tracking)	
Delay function	1ms~9999ms	
Control output	NPN open collector, maximum 100mA, residual voltage: 1V	PNP open collector, maximum 100mA, residual voltage: 1V
Power supply	12~24V DC ± 10%	
Ambient illuminance	Incandescent lamp ≤ 20,000 lux, Sunlight ≤ 30000 Lux	
Power consumption	Standard mode: Max 300mW	
Vibration resistance	10~55Hz, double amplitude: 1.5mm, X, Y, Z axis are 2 hours respectively	
Ambient temperature	-10°C~+55°C, No freezing	

Dimensions

Unit: mm



Circuit diagram



- Fiber Optic
- Slot Sensors
- Photoelectric
- Laser
- Proximity
- Displacement
- Magnetic
- Contact
- Area
- Ultrasonic
- Vision
- Code Readers
- Vibration
- Temperature
- Accessories

Guidance

- Fiber amplifiers
- Economical
- Standard
- Ultra high speed

Fiber components

- Regular type
- Array-type
- Flat bracket type
- Side-view type
- High flexible type
- High temperature resistant
- Small spot type
- Combination type
- High end type

Fiber lens

- Fiber lens